



180x180x65 mm/7x2.5inch, 405 ~ 120 CFM

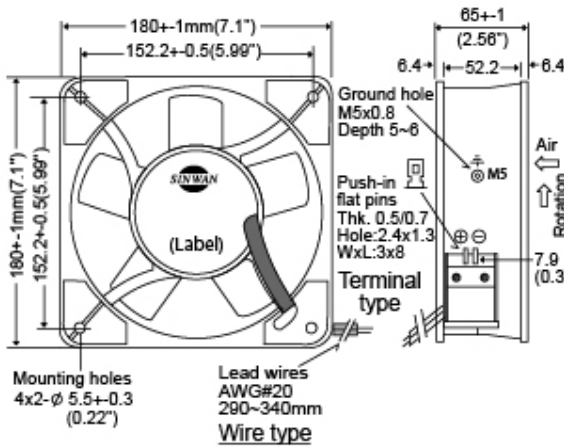
S180FAP		General specifications							
		-Motor: Single phase, capacitor induction, 2/4 pole, inner rotor, thermal protection -Motor Protection: -Frame: Aluminum die-cast, black color cosmetics -Impeller: Plastic, rated UL94V-0 -Bearing: Two ball bearings -Rotation: CW view from label side -Operating Temp: Ambient non-condensing allowable thermal range -20~+75C -Storage Temp: -Life Expectancy: Indoor free air running test MTBF 90K hours at 35C, 40K hours at 60C -Dielectric Strength: Over 1 min. at 1,500 VAC, 0.5mA, 50/60 Hz -Insulation Resistance: Over 100 Mega Ohm at DC 500V -IP Protection: -Connection: Wire lead or Terminal flat pin connecting for choice -Weight: 1800 g (4.0 Lbs)							
		*AC Metal Fans Nomenclature *AC Fans Nomenclature series *DC Fans Nomenclature series							
									
Model No.	Rated Voltage	Voltage Range	Freq.	Input Power	Ref. Speed	Max. Airflow	Max. Static Pressure	Noise	PQ Curves
	VAC	VAC	Hz	Watt	RPM	CFM	Inch/H2O	dB(A)	
S180FAP-11-1**	115	100~120	50/60	60/70	2800/3200	355/405	0.66/0.83	60	
S180FAP-11-2**	115	100~120	50/60	40/50	2350/2200	300/280	0.60/0.58	47	
S180FAP-11-3**	115	100~120	50/60	26/38	1400/1650	180/210	0.38/0.43	40	
S180FAP-11-3 (33)**	115	100~120	50/60	26/38	900/1000	120/130	0.27/0.30	29	
S180FAP-11-1/2** dual speed	115	100~120	50/60	-1 60/70 -2 40/50	2800/3200 2350/2200	355/405 300/280	0.66/0.83 0.60/0.58	60 47	
S180FAP-11-2/3** dual speed	115	100~120	50/60	-2 40/50 -3 26/38	2350/2200 1400/1650	300/280 180/210	0.60/0.58 0.38/0.43	47 40	
S180FAP-22-1**	230	200~240	50/60	60/70	2800/3200	355/405	0.66/0.83	60	
S180FAP-22-2**	230	200~240	50/60	40/50	2350/2200	300/280	0.60/0.58	47	
S180FAP-22-3**	230	200~240	50/60	26/38	1400/1650	180/210	0.38/0.43	40	
S180FAP-22-3 (33)**	230	200~240	50/60	26/38	900/1000	120/130	0.27/0.30	29	
S180FAP-22-1/2** dual speed	230	200~240	50/60	-1 60/70 -2 40/50	2800/3200 2350/2200	355/405 300/280	0.66/0.83 0.60/0.58	60 47	
S180FAP-22-2/3** dual speed	230	200~240	50/60	-2 40/50 -3 26/38	2350/2200 1400/1650	300/280 180/210	0.60/0.58 0.38/0.43	47 40	
S180FAP-38-1**	380	200~240	50/60	60/70	2750/3150	350/400	0.64/0.82	60	
S180FAP-11/22-1** dual voltage	115 230V	100~120 200~240	50/60	60/70	2750/3150	350/400	0.64/0.82	60	

**="WB" for wire leads connecting , Ball bearing OR "TB" for Terminal flat pins push in connecting , Ball bearing

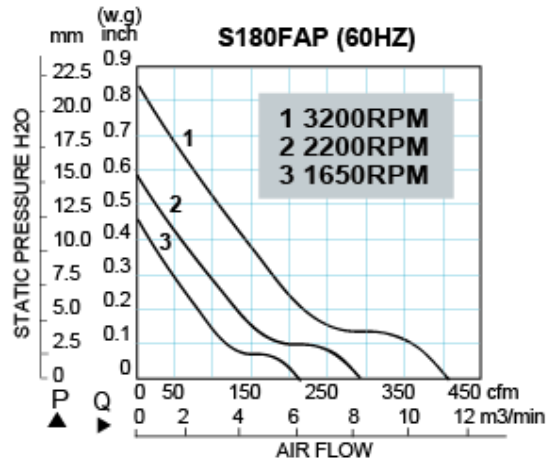
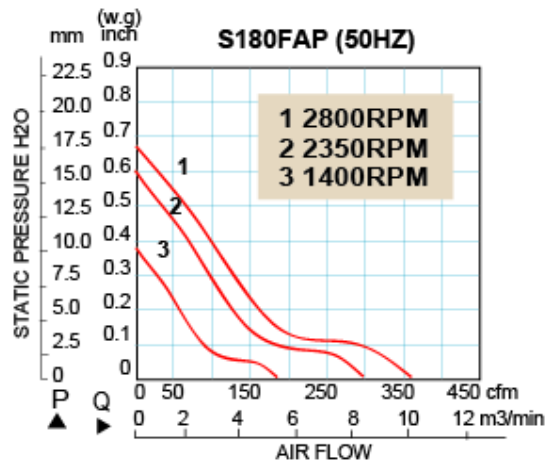
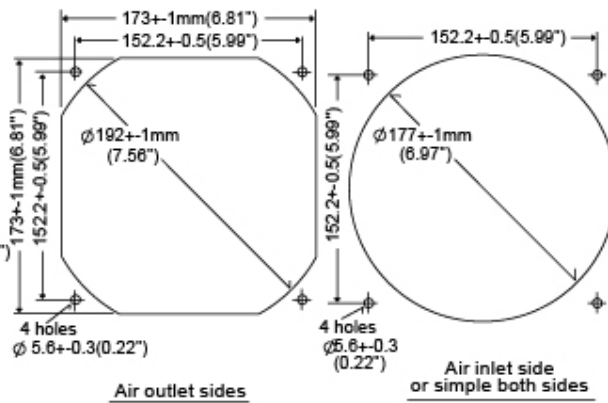
Related Product Information
Please see our related items below for suggested products to use with this item:
<ul style="list-style-type: none"> ● Metal Fan Guard: G180-11

Related Technical Information
-Optional Function Leads:
<ul style="list-style-type: none"> ● Tachometer, speed sensor pulses 5V, input 4.5~27 VDC, 1 signal each revolution, or 2 signals each revolution available on request. Function-F/G ● AC Alarm Fan, DC Power supply alarm output, open collector or TTL available. Function-R/D Alarm DC input ● Fan abnormal speed alarm, Programmable CPU AC Power alarm output, open collector or TTL available on request. Function-R/D Programmable CPU Alarm ● AC Fan Dual Voltage Wiring Diagram : AC Fan Dual Voltage 115VAC/230VAC

Sinwan S180F Series



Dimensions of installation holes



* Sinwan reserves the right to change data and specs without notice
 * Tests are at nominal rated voltage against zero static pressure
 * Specifications subject to change without notice, data tolerance $\pm 10\%$